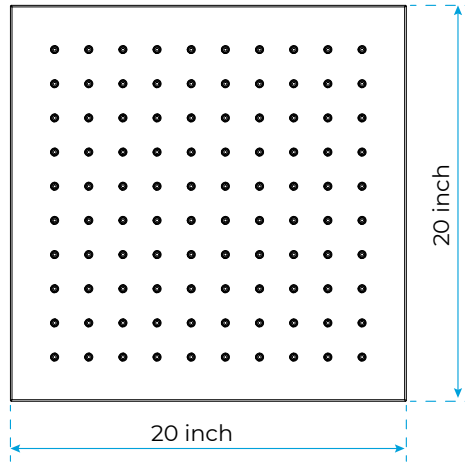


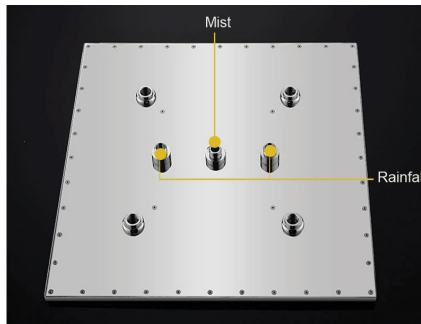
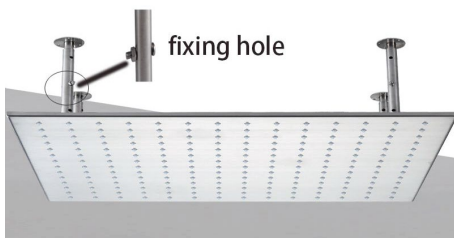
20" THERMOSTATIC MIST RAINFALL SHOWER SYSTEM WITH HANDHELD SHOWER SPECIFICATIONS



Shower Head



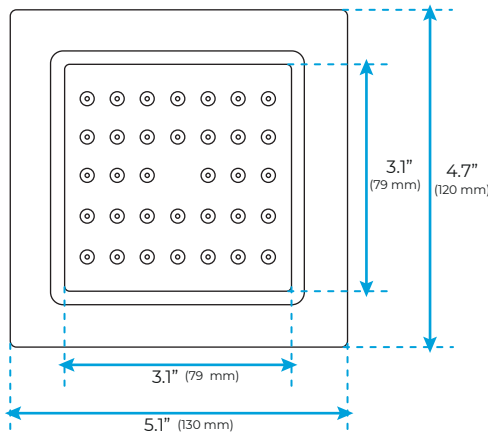
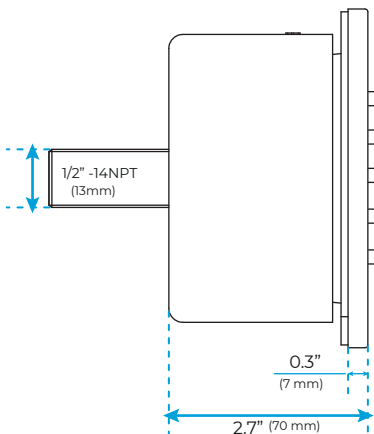
1/2" NPT inlets
Easy clean nozzles
Flow Rate: 9.5L/min 2.5 GPM



Product shown is only for installation display purpose



Body Jets

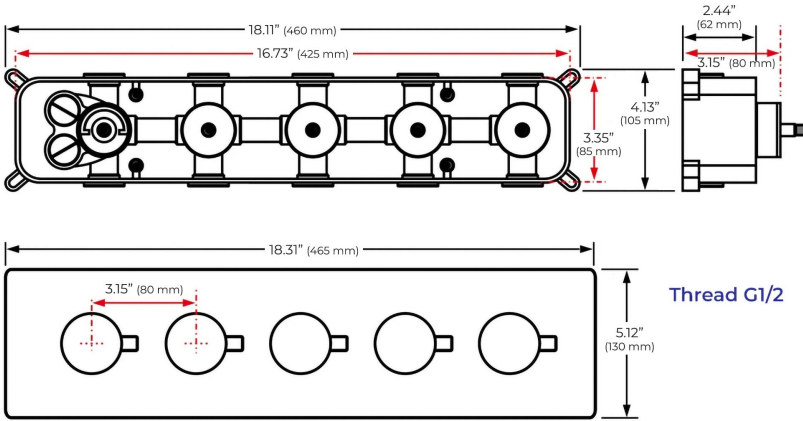


FEATURES

- Material: Brass
- Base Plate Height: 5-1/8"
- Base Plate Width: 5-1/8"
- Jet Surface Area: 3-1/8"
- Surface Depth: 1/4"
- Adjustment Angle: 5°
- Male NPT Connection: 1/2"
- Maximum Flow Rate: 2.5 GPM (9.5L/min) max @ 80 psi

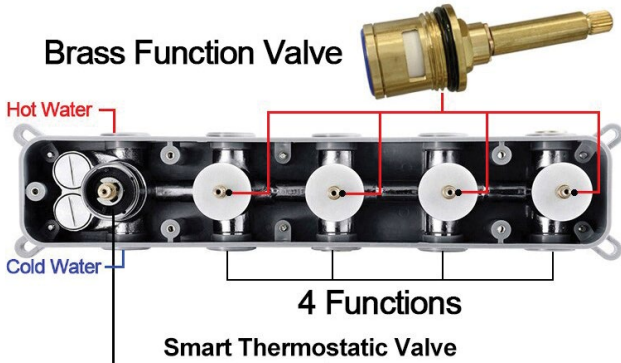
All dimensions and specifications are nominal and may vary. Use actual products for accuracy in critical situations.

Shower Mixer

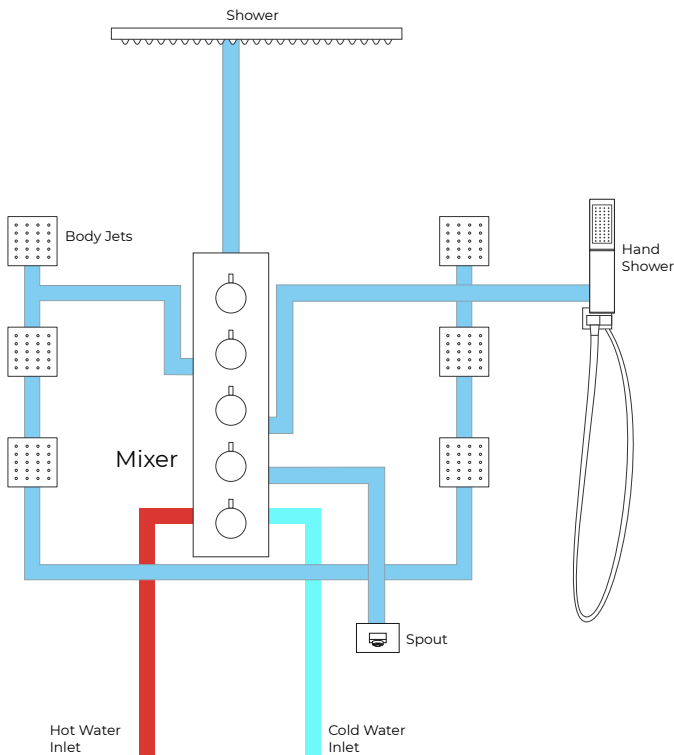


All Function can be used at the same time.

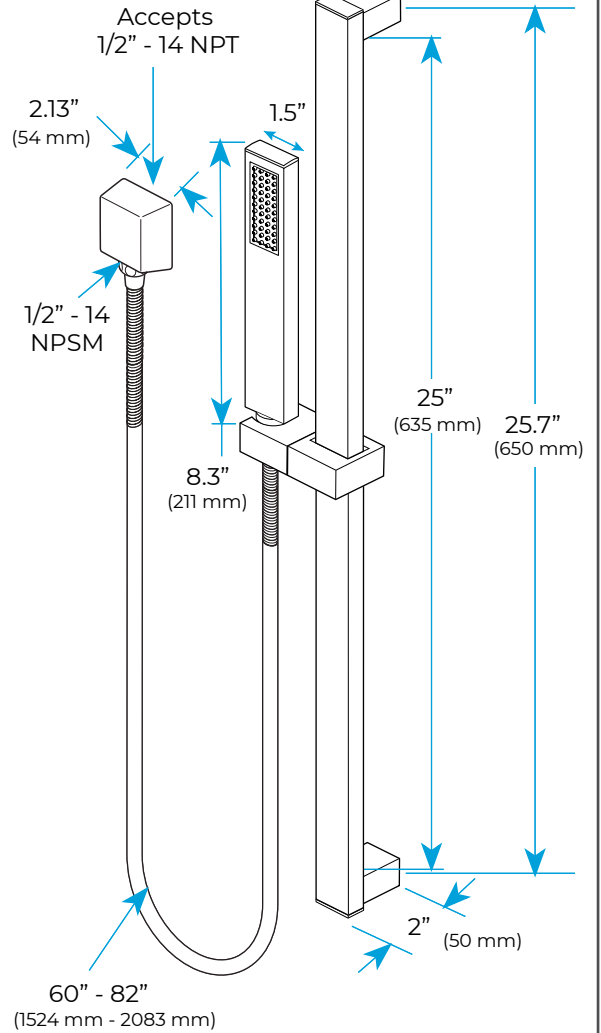
Brass Function Valve



Shower Mixer Connections



Hand Shower



Flow Rate: 2.0 GPM / 7.6 LPM