

BATHSELECT LARGE JETTED HYDROTHERAPY MASSAGE WHIRLPOOL BATHTUB TUB INSTALLATION INSTRUCTIONS



BEFORE YOU BEGIN

Before you begin, please read the installation instructions below. Observe all local building and safety codes.

Unpack and inspect the items for any shipping damages. If you find damages, do not install.

Please note all products must be installed by a professional and certified plumber otherwise warranty might be voided.

POSSIBLE TOOLS REQUIRED*



Plumbers Tape



Tape Measure



Level



Adjustable Wrench



Hex Wrench



Thread Sealant



Drill



Pencil or Marker

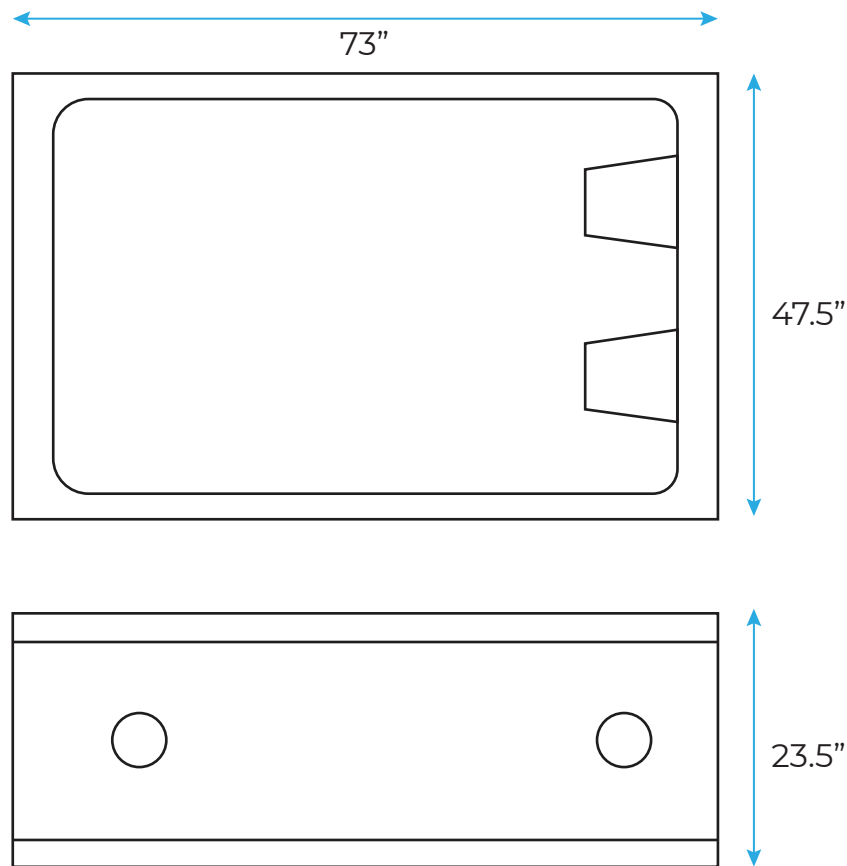


Screwdriver

*not included

Installations Instruction

Size:



Assembly instructions

Water installation (before starting the hot tub whirlpool for the first time):

1. Connect the shower phone and the waterfall tap.
2. Connect the hot and cold water supply.
3. Connect the drain.

Starting the hydromassage for the first time (before final installation):

1. Fill the hot tub until the water level sensors cutlerly.
2. Check the tightness of the pipes and jets for approx. 30minutes. During these 30 minutes, please do not leave the hot tub without supervising and periodically check the tightness of the pipes and jets during this test.
3. Once phase 2 has been successfully completed, turn on all function hydromassage and test its continuous operation for 30 minutes, please do not leave the hot tub unsupervised and periodically check the tightness of pipes, jets and pumps during this test.
4. After stages 1, 2 and 3 have been completed successfully, the final installation it can be done. In order to do so, please drain all the water from the hydro massage bathtub.

Final installation

1. Place the hot tub in its desired final position.
2. Adjust the feet of the bathtub until it is completely horizontal.
3. Seal all joints between the bathtub and the wall with silicone.
4. Install the headrest.

Care and maintenance

1. We recommend using a soft cloth and neutral detergent for daily cleaning of your hot tub. Please do not use cleaners containing acetone or ammonia. Under no circumstances should cleaners be used that contain formic acid or formaldehyde to disinfect your bathtub hydromassage. Ozone disinfection kills all germs and bacteria with the simple push of a button.

2. Lime deposits on the surface can be removed with specific products.

3. If the suction nozzles or jets become clogged due to hair or similar locks can be unscrewed and cleaned.

Please use the appropriate tools to open the package.

Security advice

1. Children and people in need of care should not bathe without supervision. People with heart problems, high blood pressure or diabetes, as well as other serious illnesses, should only use the bathtub hydromassage after consulting a doctor.

2. People with heart disease or high blood pressure are advised not to use the hot tub.

3. Alcohol consumption or particularly high physical fatigue can be a threat when using the hot tub.

4. In order to avoid damage to the product, clean the hot tub with a soft cloth and mild soap.

5. Do not use acidic or alkaline cleaners.

6. Be careful not to slip when entering and exiting the hot tub.

7. Be aware that the bathtub floor may be more slippery due to the remains of soap and other products.

8. We recommend that you hire a specialized company to carry out the connection of water pipes.

9. All electrical connections of the hot tub must be brought to be carried out by a specialized company. If the power cord is damaged, please ask a specialist to replace it.

10. The electrical installation requires grounding. Cable diameter must be less than 2.5 mm.

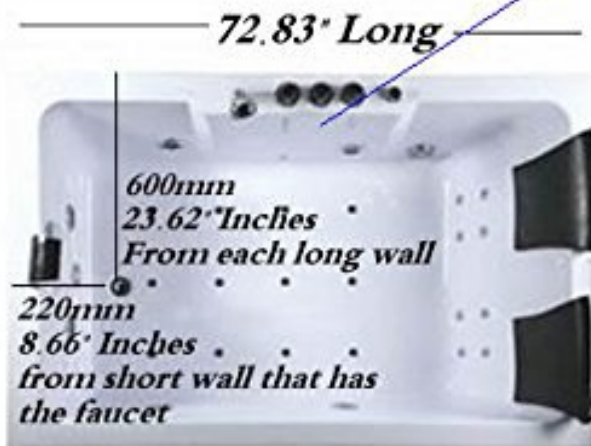
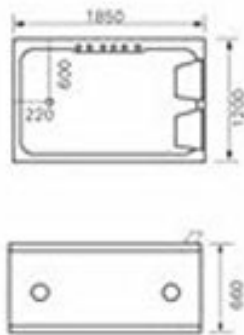
11. The water pump has a protection sensor that prevents it from starting dry running and can only be started once water reaches the sensor level.

12. It is recommended not to completely surround the hot tub with tiles. The water pump, air pump and ozone disinfection require air circulation.



Drain / Plumbing Specs

Hot / Cold Power Inputs
 These are a flexible line, about 3.5' Feet long. They come down from the knobs



47.24' Wide

Electrical Input - 110v, 60hz 25 amp connection recommended