

RENO CONTEMPORARY DECK MOUNT SINK FAUCET INSTALLATION INSTRUCTIONS



BEFORE YOU BEGIN

Before you begin, please read the installation instructions below. Observe all local building and safety codes.

Unpack and inspect the items for any shipping damages. If you find damages, do not install.

Please note all products must be installed by a professional and certified plumber otherwise warranty might be voided.

POSSIBLE TOOLS REQUIRED*



Plumbers Tape



Tape Measure



Level



Adjustable Wrench



Hex Wrench



Thread Sealant



Drill



Pencil or Marker



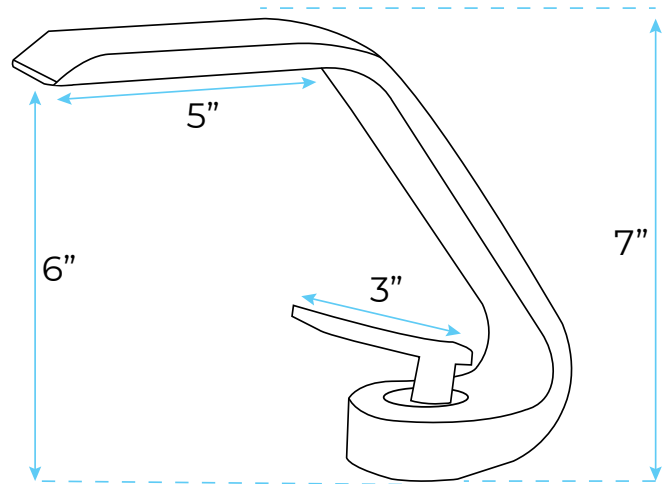
Screwdriver

*not included

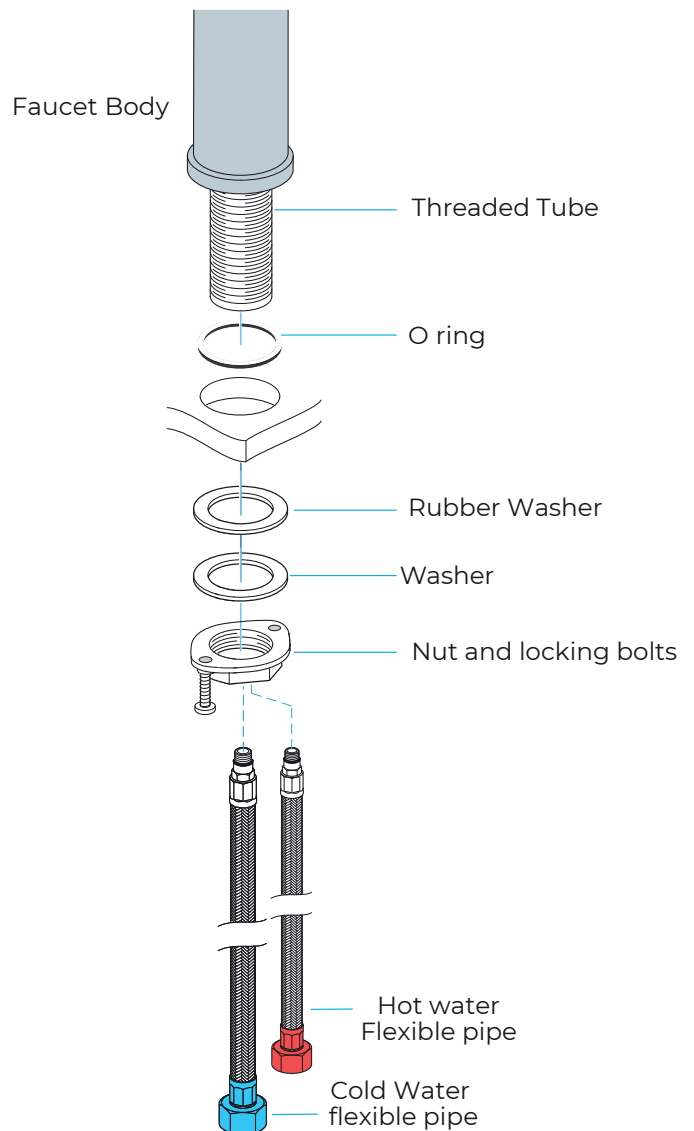
Technical Information

Category: Bathroom Sink Faucet
 Installation Type: Deck Mounted
 Installation Holes: 1
 Quantity of handles: 1
 Craft: Oil-rubbed Bronze
 Style: Modern
 Color: Black Bronze
 Flow Velocity: 2 GPM(7.57L/min)
 With/Without Hot and Cold Water Switches: Yes
 Valve Type: Ceramic Valve
 Spout Material: Brass
 Handle Material: Brass

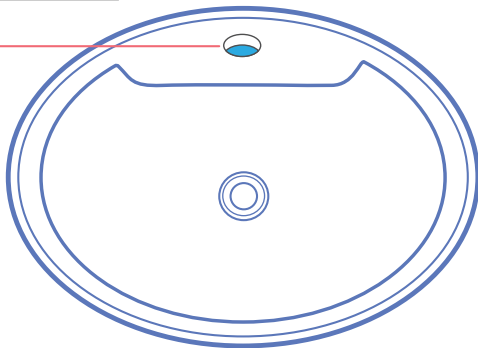
Faucet Size



Faucet Deck Mount Installation



Hole Size Chart

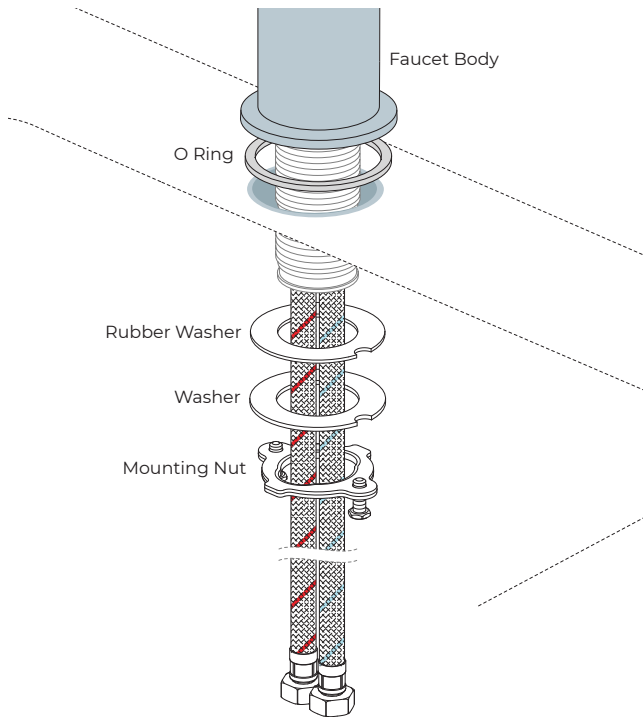


<p>Pre-drilled hole size requirements:</p> <p>Min: 1.26"/32mm - Max: 1.38"/35mm</p>	<p>Max counter top thickness without deck plate:</p> <p>1.38"/35mm</p>
--	---

All dimensions and specifications are nominal and may vary. Use actual products for accuracy in critical situations.

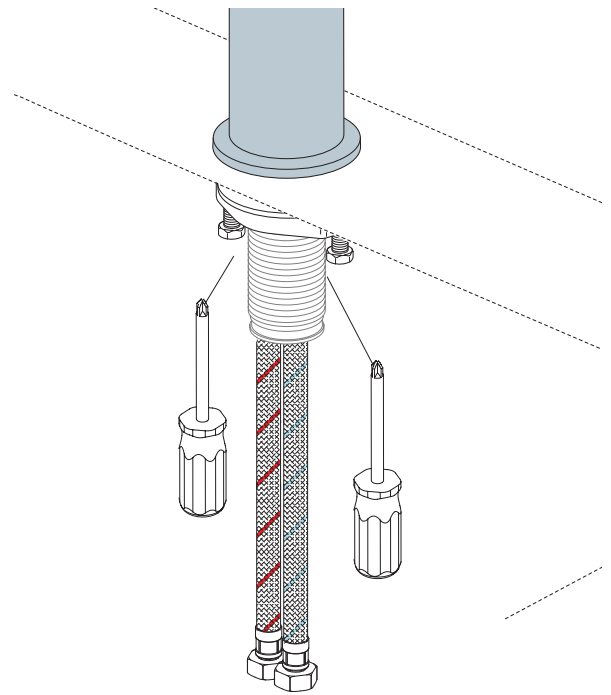
Installation Instructions

Step 1:



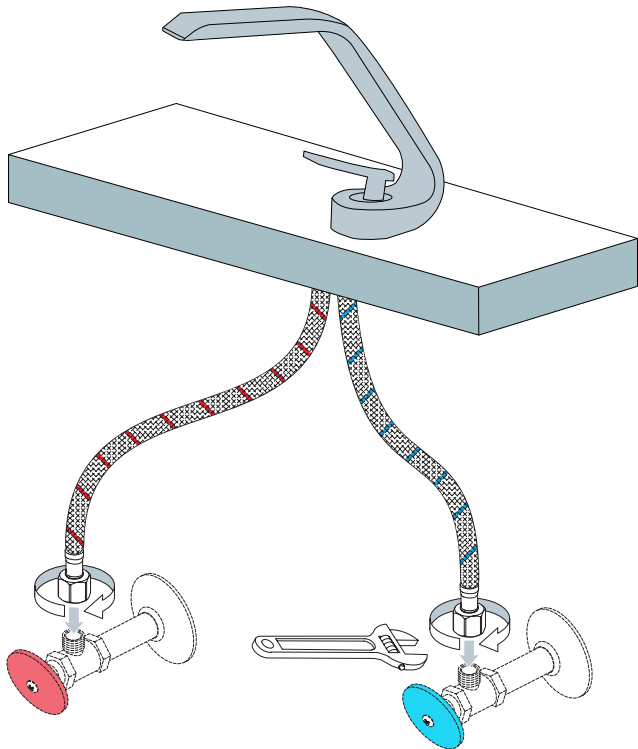
1. Remove the mounting nut, metal washer, and rubber washer from the threaded pipe. Fit the O-ring into the groove of the faucet body. Screw waterlines into the corresponding screw-hole of the faucet body.

Step 2:



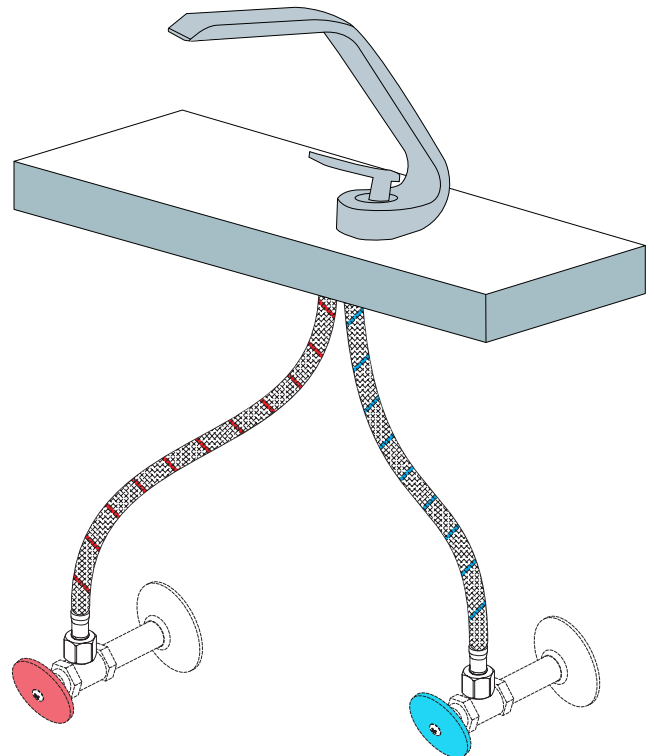
2. Insert waterlines and threaded pipe into the hole of the sink. Install rubber washer, metal washer, and mounting nut back to the threaded pipe. Adjust the faucet body correctly and secure with mounting screws tightly.

Step 3:



3. Connect waterlines to angle stops. Turn on the angle stops and check for leaks (DO NOT TURN FAUCET ON).

Step 4:



4. Turn faucet on for 1 minute to flush any debris.

Flexible Connecting Hose

Care must be taken when connecting the flexible connection hose from the power supply box to the spout to ensure it does not bend sharply and kink or twist. See Below for recommended ways to fit the flexible connecting hose.

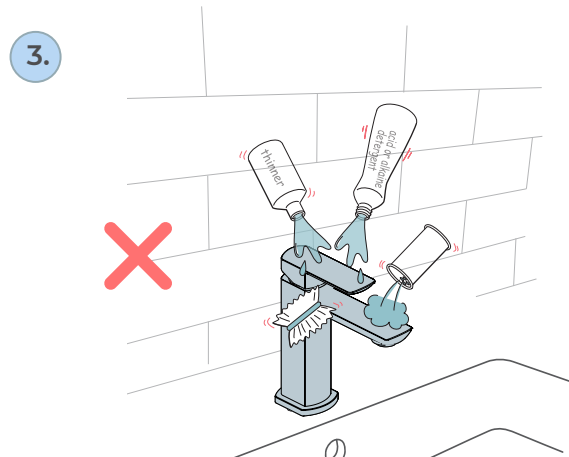
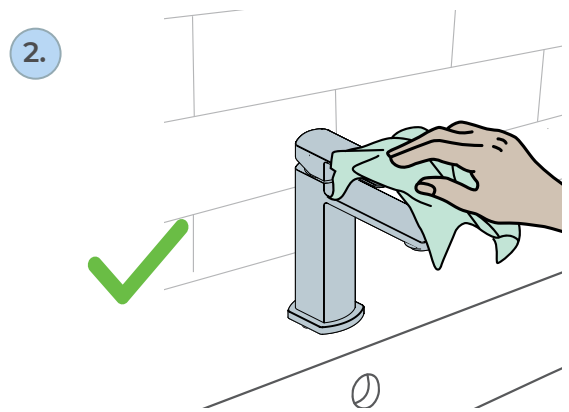
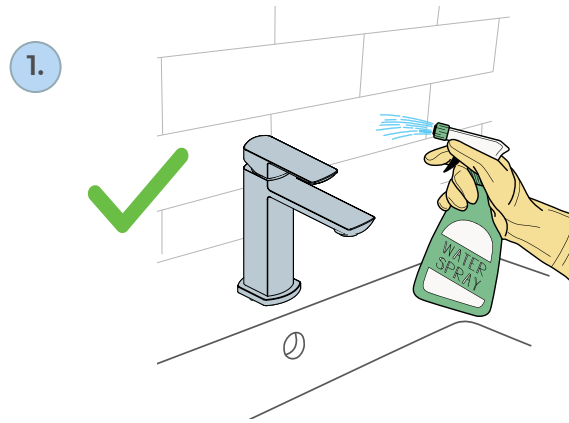
Important: Failure to follow these guidelines may result in poor performance and damage to the flexible connection hose.



Care & Cleaning

1. The product can be cleaned with warm water, a mild soap and a clean soft cloth.
2. Clean progressively and gently.
3. It is not required to use any abrasive cleaning pads, wire wool or micro-fibre cloths to clean the product.
4. Avoid a vigorous cleaning action, as this could contribute to denaturing and dulling the finish.
5. Abrasive or strong cleaning products containing ammonia, bleaches, alcohol, dyes, acids (hydrochloric, formic, phosphorus, chlorine or acetic) will be detrimental to the product finish.

6. If using a spray cleaner, apply the cleaning agent onto a soft cloth, never directly spray onto the product as the cleaner may enter gaps and openings and cause damage. Do not allow the cleaner to remain on the product for a period of time. After cleaning, rinse thoroughly with clean water.



For more details, visit the product page:

